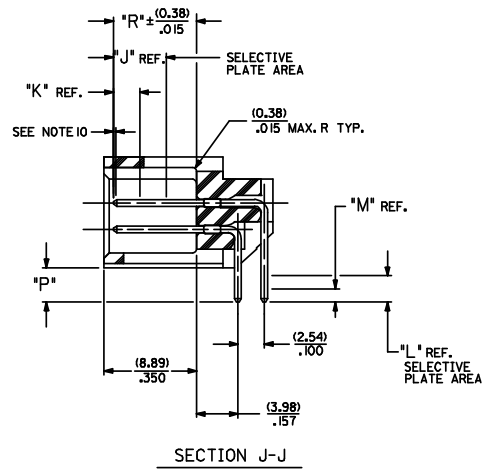
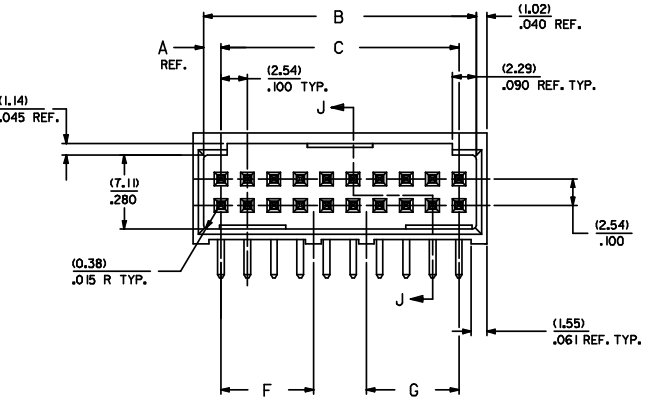


RECOMMENDED P.C. BOARD HOLE LAYOUT



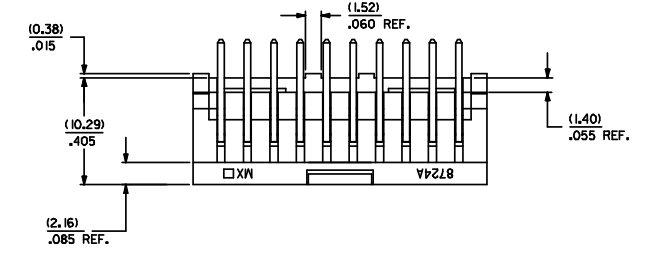
SECTION J-J

NOTES:

1. MATERIAL: SHROUDED WAFER: GLASS FILLED NYLON, COLOR: BLACK, UL94V-0 PINS PHOSPHOR BRONZE
2. FINISH: SEE CHARTS
3. PRODUCT SPECIFICATION: PS-8723
4. PACKAGING INFORMATION: SEE CHARTS
5. WINDOW NOT AVAILABLE ON 6 CKT.
6. FOR CHARTED DIMENSIONS AND ASSEMBLY N.O.S NOT SHOWN ON THIS SHEET - SEE SHEET 2.
7. 20 CIRCUIT SIZE SHOWN FOR ILLUSTRATION PURPOSES.
8. PIN PUSHOUT FORCE: (17.79 N)/4 LBS.
9. PINS MUST MEET SOLDERABILITY SPEC. MIL-STD-202 METHOD 208B.
10. ROW TO ROW PIN HEIGHT VARIATION MUST NOT EXCEED (0.25)/010 IN.
11. THIS PART CONFORMS TO CLASS B REQUIREMENTS OF COSMETIC SPECIFICATION PS-45499-002.

| CKT. | DIM. 'A' | DIM. 'B' | DIM. 'C' | DIM. 'D' | DIM. 'E' | DIM. 'F' | DIM. 'G' |
|------|-------------|---------------|---------------|-------------|---------------|---------------|---------------|
| 06 | (1.68) .066 | (8.43) .332 | (5.08) .200 | (1.68) .066 | | | |
| 08 | (1.68) .066 | (10.97) .432 | (7.62) .300 | (1.68) .066 | | | |
| 10 | (1.68) .066 | (13.51) .532 | (10.16) .400 | (4.22) .166 | | | |
| 12 | (1.68) .066 | (16.05) .632 | (12.70) .500 | (4.22) .166 | | | |
| 14 | (1.68) .066 | (18.59) .732 | (15.24) .600 | (6.76) .266 | | | |
| 16 | (1.68) .066 | (21.13) .832 | (17.78) .700 | (6.76) .266 | | | |
| 18 | (1.68) .066 | (23.67) .932 | (20.32) .800 | (9.30) .366 | | | |
| 20 | (1.68) .066 | (26.21) 1.032 | (22.86) .900 | (1.68) .066 | (19.46) .766 | | |
| 22 | (1.68) .066 | (28.75) 1.132 | (25.40) 1.000 | (1.68) .066 | (22.00) .866 | | |
| 24 | (1.68) .066 | (31.29) 1.232 | (27.94) 1.100 | (1.68) .066 | (24.54) .966 | (16.64) .655 | |
| 26 | (1.68) .066 | (33.83) 1.332 | (30.48) 1.200 | (1.68) .066 | (27.08) 1.066 | (16.64) .655 | |
| 28 | (1.68) .066 | (36.37) 1.432 | (33.02) 1.300 | (1.68) .066 | (29.62) 1.166 | (16.64) .655 | |
| 30 | (1.68) .066 | (38.91) 1.532 | (35.56) 1.400 | (1.68) .066 | (32.16) 1.266 | (16.64) .655 | |
| 32 | (1.68) .066 | (41.45) 1.632 | (38.10) 1.500 | (1.68) .066 | (34.70) 1.366 | (16.64) .655 | |
| 34 | (1.68) .066 | (43.99) 1.732 | (40.64) 1.600 | (1.68) .066 | (37.24) 1.466 | (16.64) .655 | (16.76) .660 |
| 36 | (1.68) .066 | (46.53) 1.832 | (43.18) 1.700 | (1.68) .066 | (39.78) 1.566 | (16.64) .655 | (16.76) .660 |
| 38 | (1.68) .066 | (49.07) 1.932 | (45.72) 1.800 | (1.68) .066 | (42.32) 1.666 | (16.64) .655 | (16.76) .660 |
| 40 | (1.68) .066 | (51.61) 2.032 | (48.26) 1.900 | (1.68) .066 | (44.86) 1.766 | (16.64) .655 | (16.76) .660 |
| 42 | (1.68) .066 | (54.15) 2.132 | (50.80) 2.000 | (1.68) .066 | (47.40) 1.866 | (16.64) .655 | (16.76) .660 |
| 44 | (1.68) .066 | (56.69) 2.232 | (53.34) 2.100 | (1.68) .066 | (49.94) 1.966 | (19.05) .750 | (16.76) .660 |
| 46 | (1.68) .066 | (59.23) 2.332 | (55.88) 2.200 | (1.68) .066 | (52.48) 2.066 | (19.05) .750 | (16.76) .660 |
| 48 | (1.68) .066 | (61.77) 2.432 | (58.42) 2.300 | (1.68) .066 | (55.02) 2.166 | (19.05) .750 | (16.76) .660 |
| 50 | (1.68) .066 | (64.31) 2.532 | (60.96) 2.400 | (1.68) .066 | (57.56) 2.266 | (19.05) .750 | (16.76) .660 |
| 52 | (1.68) .066 | (66.85) 2.632 | (63.50) 2.500 | (1.68) .066 | (60.10) 2.366 | (19.05) .750 | (16.76) .660 |
| 54 | (1.68) .066 | (69.39) 2.732 | (66.04) 2.600 | (1.68) .066 | (62.64) 2.466 | (21.59) .850 | (21.84) .860 |
| 56 | (1.68) .066 | (71.93) 2.832 | (68.58) 2.700 | (1.68) .066 | (65.18) 2.566 | (21.59) .850 | (21.84) .860 |
| 58 | (1.68) .066 | (74.47) 2.932 | (71.12) 2.800 | (1.68) .066 | (67.72) 2.666 | (27.81) 1.095 | (26.92) 1.060 |
| 60 | (1.68) .066 | (77.01) 3.032 | (73.66) 2.900 | (1.68) .066 | (70.26) 2.766 | (27.81) 1.095 | (26.92) 1.060 |
| 62 | (1.68) .066 | (79.55) 3.132 | (76.20) 3.000 | (1.68) .066 | (72.80) 2.866 | (27.81) 1.095 | (26.92) 1.060 |
| 64 | (1.68) .066 | (82.09) 3.232 | (78.74) 3.100 | (1.68) .066 | (75.34) 2.966 | (27.81) 1.095 | (26.92) 1.060 |
| 66 | (1.68) .066 | (84.63) 3.332 | (81.28) 3.200 | (1.68) .066 | (77.88) 3.066 | (27.81) 1.095 | (26.92) 1.060 |
| 68 | (1.68) .066 | (87.17) 3.432 | (83.82) 3.300 | (1.68) .066 | (80.42) 3.166 | (27.81) 1.095 | (26.92) 1.060 |
| 70 | (1.68) .066 | (89.71) 3.532 | (86.36) 3.400 | (1.68) .066 | (82.96) 3.266 | (27.81) 1.095 | (26.92) 1.060 |
| 72 | (1.68) .066 | (92.25) 3.632 | (88.90) 3.500 | (1.68) .066 | (85.50) 3.366 | (27.81) 1.095 | (26.92) 1.060 |

ASSEMBLY STYLES "A", "B", AND "G"



| | | | | | | | | | | | | | |
|--|------------------------------------|---|--|------------------------------------|--|--|--|-----------------------------|--|-----------------------------|--|------------------|--|
| ADD NOTES EC NO: UCP/2008-1539 DRW:WABRR CHKD:JHELL APPR:FSM/TH 2008/01/28 2008/01/31 2008/02/08 | QUALITY SYMBOLS =0 =0 | GENERAL TOLERANCES (UNLESS SPECIFIED) | | DIMENSION STYLE MM/IN | | SCALE 4:1 | | DESIGN UNITS INCH | | THIRD ANGLE PROJECTION | | | |
| | | 4 PLACES ± --- ± --- 3 PLACES ± --- ± .010 2 PLACES ± 0.25 ± .014 1 PLACE ± 0.36 ± --- ANGULAR ± 1/2° | | DRAWN BY: JL DATE: 1986/06/26 | | TITLE: SALES ASSEMBLY WAFER-RIGHT ANGLE FULLY SHROUDED .100 GRID | | | | | | | |
| | | DRAFT WHERE APPLICABLE MUST REMAIN WITHIN DIMENSIONS | | CHECKED BY: RB DATE: 1986/06/26 | | APPROVED BY: MAZ DATE: 1986/06/26 | | MATERIAL NO. SEE CHART | | DOCUMENT NO. SDA-8724-***** | | SHEET NO. 1 OF 8 | |
| | | THIS DRAWING CONTAINS INFORMATION THAT IS PROPRIETARY TO MOLEX INCORPORATED AND SHOULD NOT BE USED WITHOUT WRITTEN PERMISSION | | | | | | | | | | | |

| | |
|---|----|
| 8 | RT |
| 7 | RT |
| 6 | RT |
| 5 | RT |
| 4 | RT |
| 3 | RT |
| 2 | RT |
| 1 | RT |

| | | | | | | | | | | | | | | | | | | | | |
|------------------------------------|----|-------------------------|----------------|-----------------------------------|-----------------------|----------------|----------------|-----------------|------------------------|----------------|----------------|-----------------------|--|---|---|---|---|---|---|--|
| 20 | 19 | 18 | 17 | 16 | 15 | 14 | 13 | 12 | 11 | 10 | 9 | 8 | 7 | 6 | 5 | 4 | 3 | 2 | 1 | |
| ENGINEERING PART NUMBER A-8724- | | RELEASE FOR MANUFACTURE | P REF. | PLATING (SEE NOTES ON THIS SHEET) | CONNECTOR END PLATING | | | | P.C. BOARD END PLATING | | | PACKAGING INFORMATION | PLATING FINISHES: | | | | | | | |
| | | | | | TYPE | J LENGTH | K MEAS. | R * (0.38) .015 | TYPE | L LENGTH | M MEAS. | PK-70873- | <p><u>TIN</u> TIN (Sn) OVER ENTIRE PIN; THICKNESS=(3.75 MICROMETER)/75 MICROINCH MINIMUM; NICKEL (Ni) UNDERPLATE OVER ENTIRE PIN.</p> <p><u>15 GOLD</u> SELECTIVE GOLD (Au) IN THE CONTACT AREA; THICKNESS=(0.37 MICROMETER)/15 MICROINCH MINIMUM; SELECTIVE TIN (Sn) IN THE PC TAIL AREA; THICKNESS=(1.88 MICROMETER)/75 MICROINCH MINIMUM; NICKEL (Ni) UNDERPLATE OVER ENTIRE PIN.</p> <p><u>30 GOLD</u> SELECTIVE GOLD (Au) IN THE CONTACT AREA; THICKNESS=(0.75 MICROMETER)/30 MICROINCH MINIMUM; SELECTIVE TIN (Sn) IN THE PC TAIL AREA; THICKNESS=(1.88 MICROMETER)/75 MICROINCH MINIMUM; NICKEL (Ni) UNDERPLATE OVER ENTIRE PIN.</p> <p>*THE PRIMARY SHIPPING CARTON WILL BE LABELED 'COMPLIANT TO RoHS DIRECTIVE 2002/95/EC AND ELV ANNEX II OF DIRECTIVE 2000/53/EC'. CARTONS WITHOUT THIS LABEL MAY CONTAIN PRODUCT WITH LEAD.</p> | | | | | | | |
| 06A164 / 72A164 | | RFM | (3.30) .130 | TIN | TIN | --- | (2.54) .100 | (8.00) .315 | TIN | --- | (1.27) .050 | 0019 | | | | | | | | |
| 06B164 / 72B164 | | RFM | (5.08) .200 | TIN | TIN | --- | (2.54) .100 | (8.00) .315 | TIN | --- | (1.27) .050 | 0019 | | | | | | | | |
| 06A571 / 72A571 | | RFM | (3.30) .130 | 15 GOLD | GOLD | (5.08) .200 | (2.54) .100 | (8.00) .315 | TIN | (2.54) .100 | (1.27) .050 | 0019 | | | | | | | | |
| 06B571 / 72B571 | | RFM | (5.08) .200 | 15 GOLD | GOLD | (5.08) .200 | (2.54) .100 | (8.00) .315 | TIN | (2.54) .100 | (1.27) .050 | 0019 | | | | | | | | |
| 06A574 / 72A574 | | RFM | (3.30) .130 | 30 GOLD | GOLD | (5.08) .200 | (2.54) .100 | (8.00) .315 | TIN | (2.54) .100 | (1.27) .050 | 0019 | | | | | | | | |
| 06B574 / 72B574 | | RFM | (5.08) .200 | 30 GOLD | GOLD | (5.08) .200 | (2.54) .100 | (8.00) .315 | TIN | (2.54) .100 | (1.27) .050 | 0019 | | | | | | | | |
| 06G164 / 72G164 | | RFM | (3.30) .130 | TIN | TIN | --- | (2.54) .100 | (6.35) .250 | TIN | --- | (1.27) .050 | 0019 | | | | | | | | |

| NO. OF CKTS | TIN | | TIN | | 15 GOLD | | 15 GOLD | | 30 GOLD | | 30 GOLD | | TIN | | | | | | | |
|-------------|------------|---------------|------------|---------------|------------|---------------|------------|---------------|------------|---------------|------------|---------------|------------|---------------|------------|------------|------------|------------|------------|------------|
| | EDP NUMBER | ENG NUMBER | EDP NUMBER | ENG NUMBER | EDP NUMBER | ENG NUMBER | EDP NUMBER | ENG NUMBER | EDP NUMBER | ENG NUMBER | EDP NUMBER | ENG NUMBER | EDP NUMBER | ENG NUMBER | EDP NUMBER | ENG NUMBER | EDP NUMBER | ENG NUMBER | EDP NUMBER | ENG NUMBER |
| 06 | 15-42-7006 | A-8724-06A164 | 15-42-7106 | A-8724-06B164 | 15-29-7006 | A-8724-06A571 | 15-29-7106 | A-8724-06B571 | 15-41-8006 | A-8724-06A574 | 15-41-8106 | A-8724-06B574 | 15-41-9106 | A-8724-06G164 | | | | | | |
| 08 | 15-42-7008 | A-8724-08A164 | 15-42-7108 | A-8724-08B164 | 15-29-7008 | A-8724-08A571 | 15-29-7108 | A-8724-08B571 | 15-41-8008 | A-8724-08A574 | 15-41-8108 | A-8724-08B574 | 15-41-9108 | A-8724-08G164 | | | | | | |
| 10 | 15-42-7010 | A-8724-10A164 | 15-42-7110 | A-8724-10B164 | 15-29-7010 | A-8724-10A571 | 15-29-7110 | A-8724-10B571 | 15-41-8010 | A-8724-10A574 | 15-41-8110 | A-8724-10B574 | 15-41-9110 | A-8724-10G164 | | | | | | |
| 12 | 15-42-7012 | A-8724-12A164 | 15-42-7112 | A-8724-12B164 | 15-29-7012 | A-8724-12A571 | 15-29-7112 | A-8724-12B571 | 15-41-8012 | A-8724-12A574 | 15-41-8112 | A-8724-12B574 | 15-41-9112 | A-8724-12G164 | | | | | | |
| 14 | 15-42-7014 | A-8724-14A164 | 15-42-7114 | A-8724-14B164 | 15-29-7014 | A-8724-14A571 | 15-29-7114 | A-8724-14B571 | 15-41-8014 | A-8724-14A574 | 15-41-8114 | A-8724-14B574 | 15-41-9114 | A-8724-14G164 | | | | | | |
| 16 | 15-42-7016 | A-8724-16A164 | 15-42-7116 | A-8724-16B164 | 15-29-7016 | A-8724-16A571 | 15-29-7116 | A-8724-16B571 | 15-41-8016 | A-8724-16A574 | 15-41-8116 | A-8724-16B574 | 15-41-9116 | A-8724-16G164 | | | | | | |
| 18 | 15-42-7018 | A-8724-18A164 | 15-42-7118 | A-8724-18B164 | 15-29-7018 | A-8724-18A571 | 15-29-7118 | A-8724-18B571 | 15-41-8018 | A-8724-18A574 | 15-41-8118 | A-8724-18B574 | 15-41-9118 | A-8724-18G164 | | | | | | |
| 20 | 15-42-7020 | A-8724-20A164 | 15-42-7120 | A-8724-20B164 | 15-29-7020 | A-8724-20A571 | 15-29-7120 | A-8724-20B571 | 15-41-8020 | A-8724-20A574 | 15-41-8120 | A-8724-20B574 | 15-41-9120 | A-8724-20G164 | | | | | | |
| 22 | 15-42-7022 | A-8724-22A164 | 15-42-7122 | A-8724-22B164 | 15-29-7022 | A-8724-22A571 | 15-29-7122 | A-8724-22B571 | 15-41-8022 | A-8724-22A574 | 15-41-8122 | A-8724-22B574 | 15-41-9122 | A-8724-22G164 | | | | | | |
| 24 | 15-42-7024 | A-8724-24A164 | 15-42-7124 | A-8724-24B164 | 15-29-7024 | A-8724-24A571 | 15-29-7124 | A-8724-24B571 | 15-41-8024 | A-8724-24A574 | 15-41-8124 | A-8724-24B574 | 15-41-9124 | A-8724-24G164 | | | | | | |
| 26 | 15-42-7026 | A-8724-26A164 | 15-42-7126 | A-8724-26B164 | 15-29-7026 | A-8724-26A571 | 15-29-7126 | A-8724-26B571 | 15-41-8026 | A-8724-26A574 | 15-41-8126 | A-8724-26B574 | 15-41-9126 | A-8724-26G164 | | | | | | |
| 28 | 15-42-7028 | A-8724-28A164 | 15-42-7128 | A-8724-28B164 | 15-29-7028 | A-8724-28A571 | 15-29-7128 | A-8724-28B571 | 15-41-8028 | A-8724-28A574 | 15-41-8128 | A-8724-28B574 | 15-41-9128 | A-8724-28G164 | | | | | | |
| 30 | 15-42-7030 | A-8724-30A164 | 15-42-7130 | A-8724-30B164 | 15-29-7030 | A-8724-30A571 | 15-29-7130 | A-8724-30B571 | 15-41-8030 | A-8724-30A574 | 15-41-8130 | A-8724-30B574 | 15-41-9130 | A-8724-30G164 | | | | | | |
| 32 | 15-42-7032 | A-8724-32A164 | 15-42-7132 | A-8724-32B164 | 15-29-7032 | A-8724-32A571 | 15-29-7132 | A-8724-32B571 | 15-41-8032 | A-8724-32A574 | 15-41-8132 | A-8724-32B574 | 15-41-9132 | A-8724-32G164 | | | | | | |
| 34 | 15-42-7034 | A-8724-34A164 | 15-42-7134 | A-8724-34B164 | 15-29-7034 | A-8724-34A571 | 15-29-7134 | A-8724-34B571 | 15-41-8034 | A-8724-34A574 | 15-41-8134 | A-8724-34B574 | 15-41-9134 | A-8724-34G164 | | | | | | |
| 36 | 15-42-7036 | A-8724-36A164 | 15-42-7136 | A-8724-36B164 | 15-29-7036 | A-8724-36A571 | 15-29-7136 | A-8724-36B571 | 15-41-8036 | A-8724-36A574 | 15-41-8136 | A-8724-36B574 | 15-41-9136 | A-8724-36G164 | | | | | | |
| 38 | 15-42-7038 | A-8724-38A164 | 15-42-7138 | A-8724-38B164 | 15-29-7038 | A-8724-38A571 | 15-29-7138 | A-8724-38B571 | 15-41-8038 | A-8724-38A574 | 15-41-8138 | A-8724-38B574 | 15-41-9138 | A-8724-38G164 | | | | | | |
| 40 | 15-42-7040 | A-8724-40A164 | 15-42-7140 | A-8724-40B164 | 15-29-7040 | A-8724-40A571 | 15-29-7140 | A-8724-40B571 | 15-41-8040 | A-8724-40A574 | 15-41-8140 | A-8724-40B574 | 15-41-9140 | A-8724-40G164 | | | | | | |
| 42 | 15-42-7042 | A-8724-42A164 | 15-42-7142 | A-8724-42B164 | 15-29-7042 | A-8724-42A571 | 15-29-7142 | A-8724-42B571 | 15-41-8042 | A-8724-42A574 | 15-41-8142 | A-8724-42B574 | 15-41-9142 | A-8724-42G164 | | | | | | |
| 44 | 15-42-7044 | A-8724-44A164 | 15-42-7144 | A-8724-44B164 | 15-29-7044 | A-8724-44A571 | 15-29-7144 | A-8724-44B571 | 15-41-8044 | A-8724-44A574 | 15-41-8144 | A-8724-44B574 | 15-41-9144 | A-8724-44G164 | | | | | | |
| 46 | 15-42-7046 | A-8724-46A164 | 15-42-7146 | A-8724-46B164 | 15-29-7046 | A-8724-46A571 | 15-29-7146 | A-8724-46B571 | 15-41-8046 | A-8724-46A574 | 15-41-8146 | A-8724-46B574 | 15-41-9146 | A-8724-46G164 | | | | | | |
| 48 | 15-42-7048 | A-8724-48A164 | 15-42-7148 | A-8724-48B164 | 15-29-7048 | A-8724-48A571 | 15-29-7148 | A-8724-48B571 | 15-41-8048 | A-8724-48A574 | 15-41-8148 | A-8724-48B574 | 15-41-9148 | A-8724-48G164 | | | | | | |
| 50 | 15-42-7050 | A-8724-50A164 | 15-42-7150 | A-8724-50B164 | 15-29-7050 | A-8724-50A571 | 15-29-7150 | A-8724-50B571 | 15-41-8050 | A-8724-50A574 | 15-41-8150 | A-8724-50B574 | 15-41-9150 | A-8724-50G164 | | | | | | |
| 52 | 15-42-7052 | A-8724-52A164 | 15-42-7152 | A-8724-52B164 | 15-29-7052 | A-8724-52A571 | 15-29-7152 | A-8724-52B571 | 15-41-8052 | A-8724-52A574 | 15-41-8152 | A-8724-52B574 | 15-41-9152 | A-8724-52G164 | | | | | | |
| 54 | 15-42-7054 | A-8724-54A164 | 15-42-7154 | A-8724-54B164 | 15-29-7054 | A-8724-54A571 | 15-29-7154 | A-8724-54B571 | 15-41-8054 | A-8724-54A574 | 15-41-8154 | A-8724-54B574 | 15-41-9154 | A-8724-54G164 | | | | | | |
| 56 | 15-42-7056 | A-8724-56A164 | 15-42-7156 | A-8724-56B164 | 15-29-7056 | A-8724-56A571 | 15-29-7156 | A-8724-56B571 | 15-41-8056 | A-8724-56A574 | 15-41-8156 | A-8724-56B574 | 15-41-9156 | A-8724-56G164 | | | | | | |
| 58 | 15-42-7058 | A-8724-58A164 | 15-42-7158 | A-8724-58B164 | 15-29-7058 | A-8724-58A571 | 15-29-7158 | A-8724-58B571 | 15-41-8058 | A-8724-58A574 | 15-41-8158 | A-8724-58B574 | 15-41-9158 | A-8724-58G164 | | | | | | |
| 60 | 15-42-7060 | A-8724-60A164 | 15-42-7160 | A-8724-60B164 | 15-29-7060 | A-8724-60A571 | 15-29-7160 | A-8724-60B571 | 15-41-8060 | A-8724-60A574 | 15-41-8160 | A-8724-60B574 | 15-41-9160 | A-8724-60G164 | | | | | | |
| 62 | 15-42-7062 | A-8724-62A164 | 15-42-7162 | A-8724-62B164 | 15-29-7062 | A-8724-62A571 | 15-29-7162 | A-8724-62B571 | 15-41-8062 | A-8724-62A574 | 15-41-8162 | A-8724-62B574 | 15-41-9162 | A-8724-62G164 | | | | | | |
| 64 | 15-42-7064 | A-8724-64A164 | 15-42-7164 | A-8724-64B164 | 15-29-7064 | A-8724-64A571 | 15-29-7164 | A-8724-64B571 | 15-41-8064 | A-8724-64A574 | 15-41-8164 | A-8724-64B574 | 15-41-9164 | A-8724-64G164 | | | | | | |
| 66 | 15-42-7066 | A-8724-66A164 | 15-42-7166 | A-8724-66B164 | 15-29-7066 | A-8724-66A571 | 15-29-7166 | A-8724-66B571 | 15-41-8066 | A-8724-66A574 | 15-41-8166 | A-8724-66B574 | 15-41-9166 | A-8724-66G164 | | | | | | |
| 68 | 15-42-7068 | A-8724-68A164 | 15-42-7168 | A-8724-68B164 | 15-29-7068 | A-8724-68A571 | 15-29-7168 | A-8724-68B571 | 15-41-8068 | A-8724-68A574 | 15-41-8168 | A-8724-68B574 | 15-41-9168 | A-8724-68G164 | | | | | | |
| 70 | 15-42-7070 | A-8724-70A164 | 15-42-7170 | A-8724-70B164 | 15-29-7070 | A-8724-70A571 | 15-29-7170 | A-8724-70B571 | 15-41-8070 | A-8724-70A574 | 15-41-8170 | A-8724-70B574 | 15-41-9170 | A-8724-70G164 | | | | | | |
| 72 | 15-42-7072 | A-8724-72A164 | 15-42-7172 | A-8724-72B164 | 15-29-7072 | A-8724-72A571 | 15-29-7172 | A-8724-72B571 | 15-41-8072 | A-8724-72A574 | 15-41-8172 | A-8724-72B574 | 15-41-9172 | A-8724-72G164 | | | | | | |

| | | | | | | | | | | | | | | | | | |
|---|----------------------------|--|---|----|------|----------------|---------|----------------|---------|----------------|---------|---------------|---------|---|---|--|---|
| UPDATE TITLE BLOCK EC NO: UCP/2008-1539 DRAWN BY: DRW:WABERR CHKD: J.BELL APPR: F.S.M. 2008/01/28 2008/01/31 2008/02/08 | QUALITY SYMBOLS | GENERAL TOLERANCES (UNLESS SPECIFIED) <table border="1"> <tr><td>mm</td><td>INCH</td></tr> <tr><td>4 PLACES ± .01</td><td>± .0004</td></tr> <tr><td>3 PLACES ± .02</td><td>± .0008</td></tr> <tr><td>2 PLACES ± .03</td><td>± .0012</td></tr> <tr><td>1 PLACE ± .05</td><td>± .0020</td></tr> </table> | | mm | INCH | 4 PLACES ± .01 | ± .0004 | 3 PLACES ± .02 | ± .0008 | 2 PLACES ± .03 | ± .0012 | 1 PLACE ± .05 | ± .0020 | DIMENSION STYLE MM/IN DRAWN BY: JL DATE: 1986/06/26 CHECKED BY: RB DATE: 1986/06/26 APPROVED BY: DATE: 1986/06/26 | SCALE --- DESIGN UNITS INCH THIRD ANGLE PROJECTION | TITLE SALES ASSEMBLY WAFER-RIGHT ANGLE FULLY SHROUDED .100 GRID MOLEX INCORPORATED | MATERIAL NO. SEE CHART DOCUMENT NO. SDA-8724-***** SHEET NO. 2 OF 8 |
| | | mm | INCH | | | | | | | | | | | | | | |
| | | 4 PLACES ± .01 | ± .0004 | | | | | | | | | | | | | | |
| 3 PLACES ± .02 | ± .0008 | | | | | | | | | | | | | | | | |
| 2 PLACES ± .03 | ± .0012 | | | | | | | | | | | | | | | | |
| 1 PLACE ± .05 | ± .0020 | | | | | | | | | | | | | | | | |
| DRAFT WHERE APPLICABLE MUST REMAIN WITHIN DIMENSIONS | | APPROVED BY | MATERIAL NO. SEE CHART DOCUMENT NO. SDA-8724-***** SHEET NO. 2 OF 8 | | | | | | | | | | | | | | |
| | | THIS DRAWING CONTAINS INFORMATION THAT IS PROPRIETARY TO MOLEX INCORPORATED AND SHOULD NOT BE USED WITHOUT WRITTEN PERMISSION | | | | | | | | | | | | | | | |